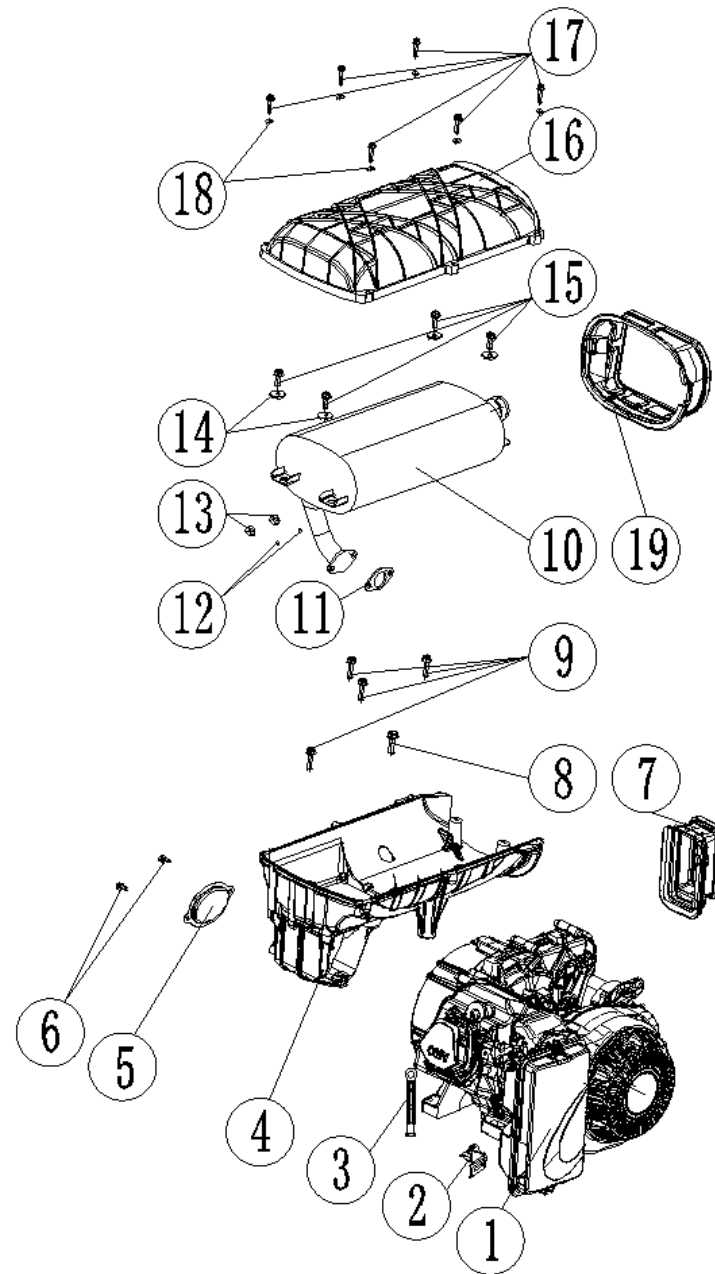
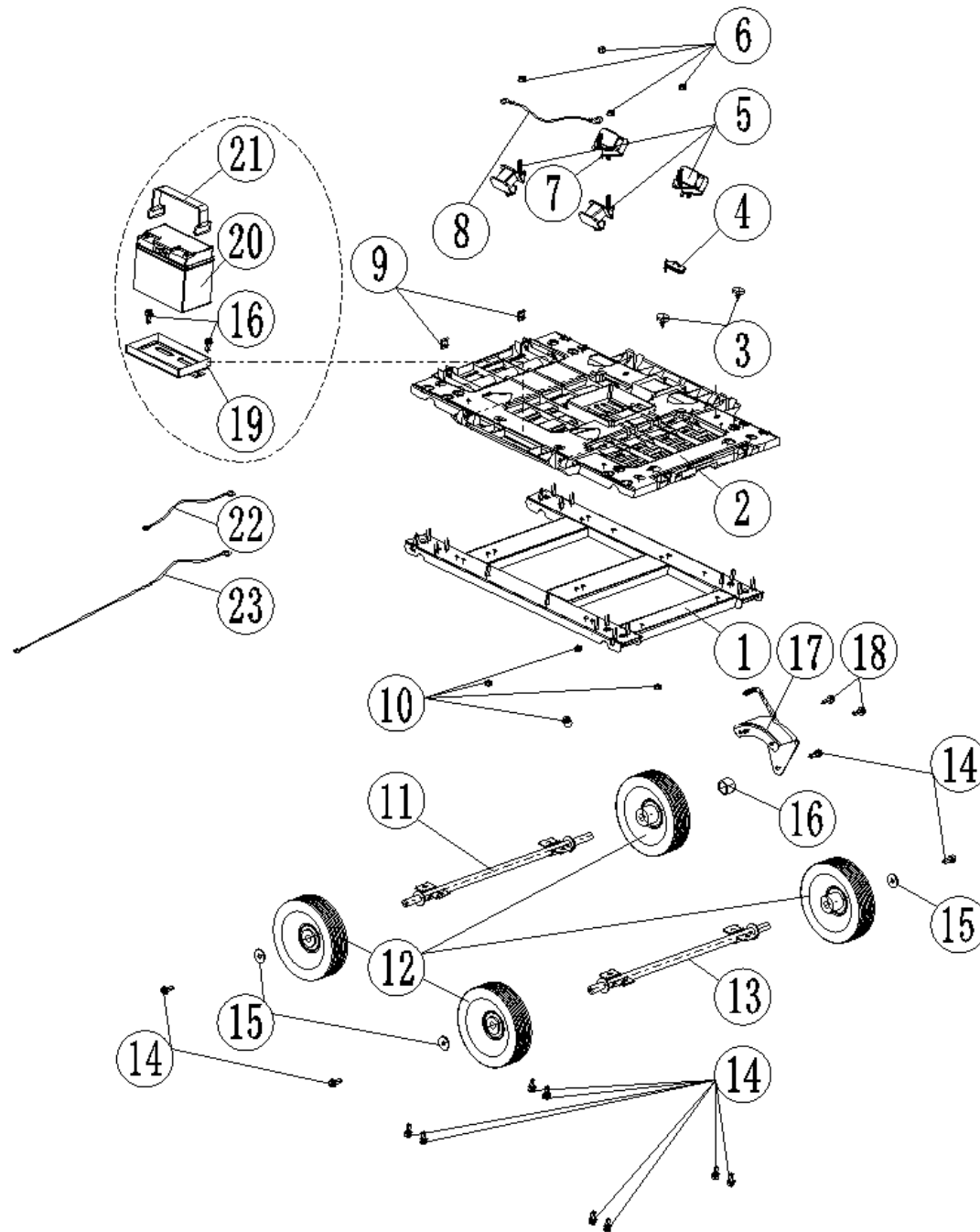


1 Machine core components



NO.	Part NO.	Description			QTY	
		English	Price (USD)		Standard Qty	Demand Qty
1	20260-04180-00	Engine Parts/STANDARD QTY			1	
2	33499-00018-01	Air filter bracket			1	
3	31018-00029-00	Temperature Sensor			1	
4	33014-00490-01	Muffler exhaust lower cover assembly			1	
5	33013-00593-00	Muffler lower cover			1	
6	30101-00395-00	Hexagon flange bolts			2	
7	33014-00378-00	Motor exhaust hood/			1	
8	30101-00549-00	Hexagon flange bolts			1	
9	30101-00365-00	Hexagon flange bolts			4	
10	20202-00486-00	Muffler parts			1	
11	33048-00093-00	Muffler gasket			2	
12	30139-00036-00	Spring washers			2	
13	30121-00007-00	Hexagonal nut			2	
14	30136-00071-00	Flat washers			4	
15	30101-00043-00	Hexagon flange bolts			4	
16	33014-00483-00	Muffler exhaust upper cover assembly			1	
17	30101-00441-00	Hexagon flange bolts			6	
18	30136-00112-00	Flat washers			6	
19	33014-00379-00	Muffler exhaust hood			1	

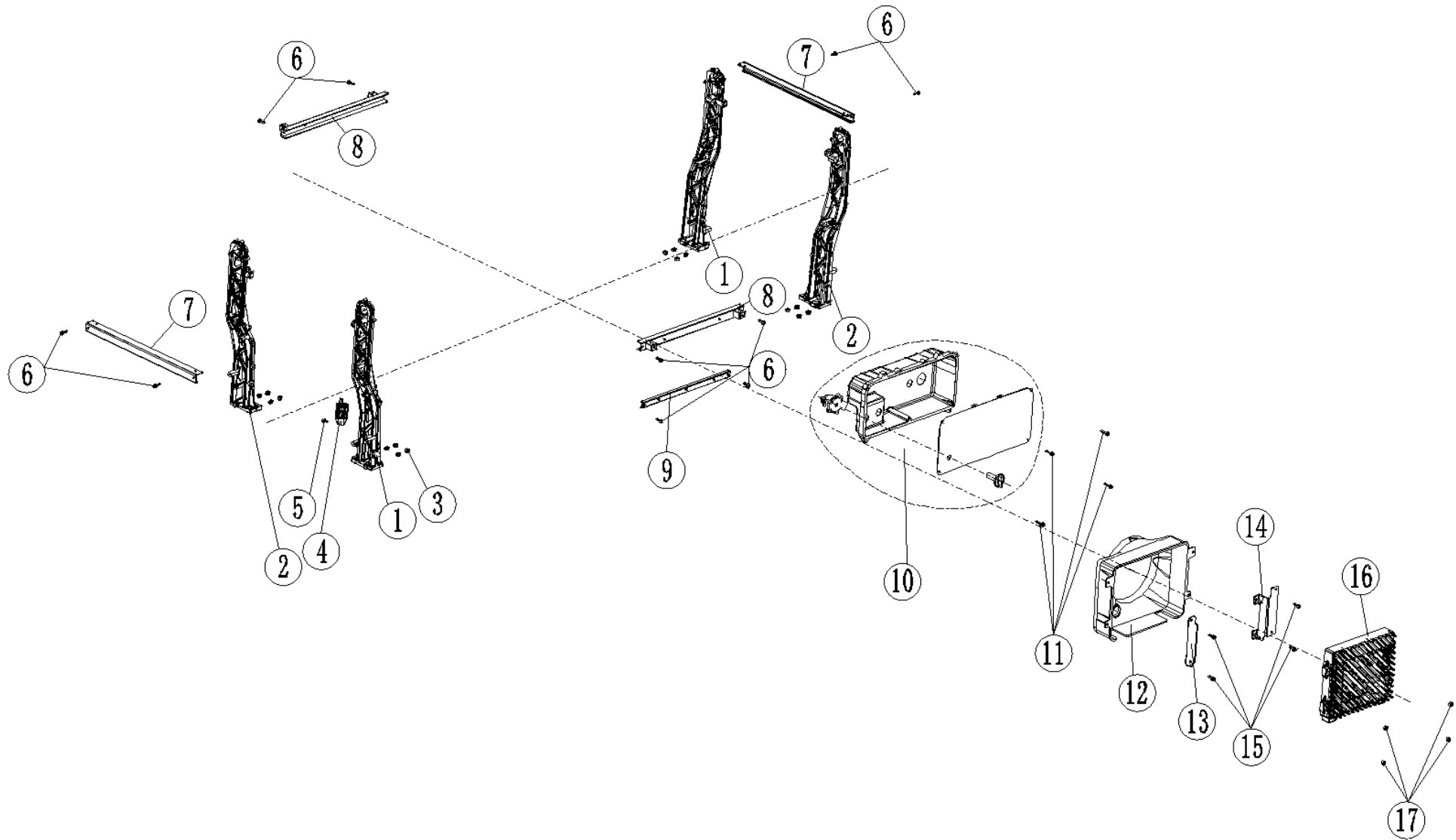
2 Panel assembly Base plate assembly



		Description	QTY
--	--	-------------	-----

NO.	Part NO.	English	Price (USD)		Standard Qty	Demand Qty
1	20249-00206-00	Support components			1	
2	33013-00153-00	Bottom plate assembly			1	
3	34030-00129-00	Inverter shock pad			2	
4	33126-00050-00	Oil drain plug			1	
5	34030-00034-01	Vibration damping bearing			3	
6	30125-00026-00	Hexagonal Flange Nut			4	
7	34030-00203-01	Vibration damping bearing			1	
8	20196-00122-01	Ground harness			1	
9	34024-00085-00	Clip nut			16	
10	30125-00023-00	Hexagonal Flange Nut			4	
11	34031-00059-02	axle			1	
12	20134-00127-03	Wheel assembly			4	
13	34031-00060-02	axle			1	
14	30101-00355-00	Hexagon flange bolts			18	
15	30136-00115-00	Flat washers			3	
16	34032-00041-01	bushing			1	
17	70002-02723-00	Brake parts			1	
18	30101-00361-00	Hexagon flange bolts			2	
19	20032-00212-00	Battery box components			1	
20	31002-00031-00	Battery			1	
21	70002-02313-00	Battery strap			1	
22	20196-00088-01	Negative charging cable			1	
23	20196-00069-01	Positive charging cable			1	

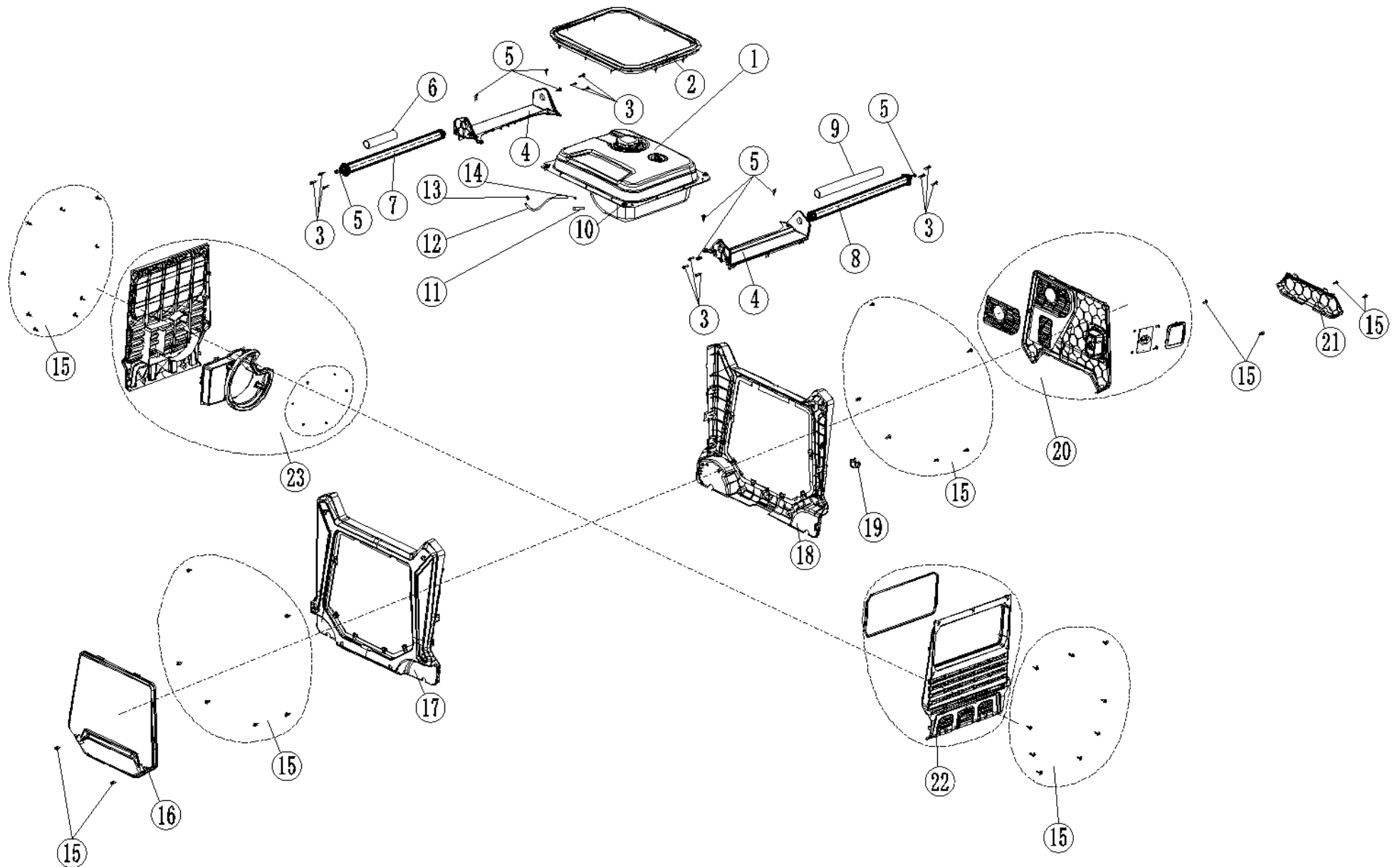
3Rack component



NO.	Part NO.	Description		QTY		
		English	Price (USD)		Standard Qty	Demand Qty

1	20014-00179-00	Bracket/right			2	
2	20014-00180-00	Bracket/left			2	
3	30125-00023-00	Hexagonal Flange Nut			16	
4	31023-00034-01	DC Regulator			1	
5	30101-00339-00	Hexagon flange bolts			1	
6	30101-00405-00	Hexagon flange bolts			10	
7	34040-00099-00	Rack right beam			2	
8	34040-00066-00	Front and rear upper beams			2	
9	34040-00068-00	Front lower beam			1	
10	20114-08165-00	Control panel assembly			1	
11	30101-00412-00	Hexagon flange bolts			4	
12	34021-00240-00	Air guide cover assembly			1	
13	20014-00136-00	Inverter fixing bracket/left			1	
14	20014-00137-00	Inverter fixing bracket/right			1	
15	30101-00405-00	Hexagon flange bolts			4	
16	20136-00150-00	Inverter components			1	
17	30125-00019-00	Hexagonal Flange Nut			4	

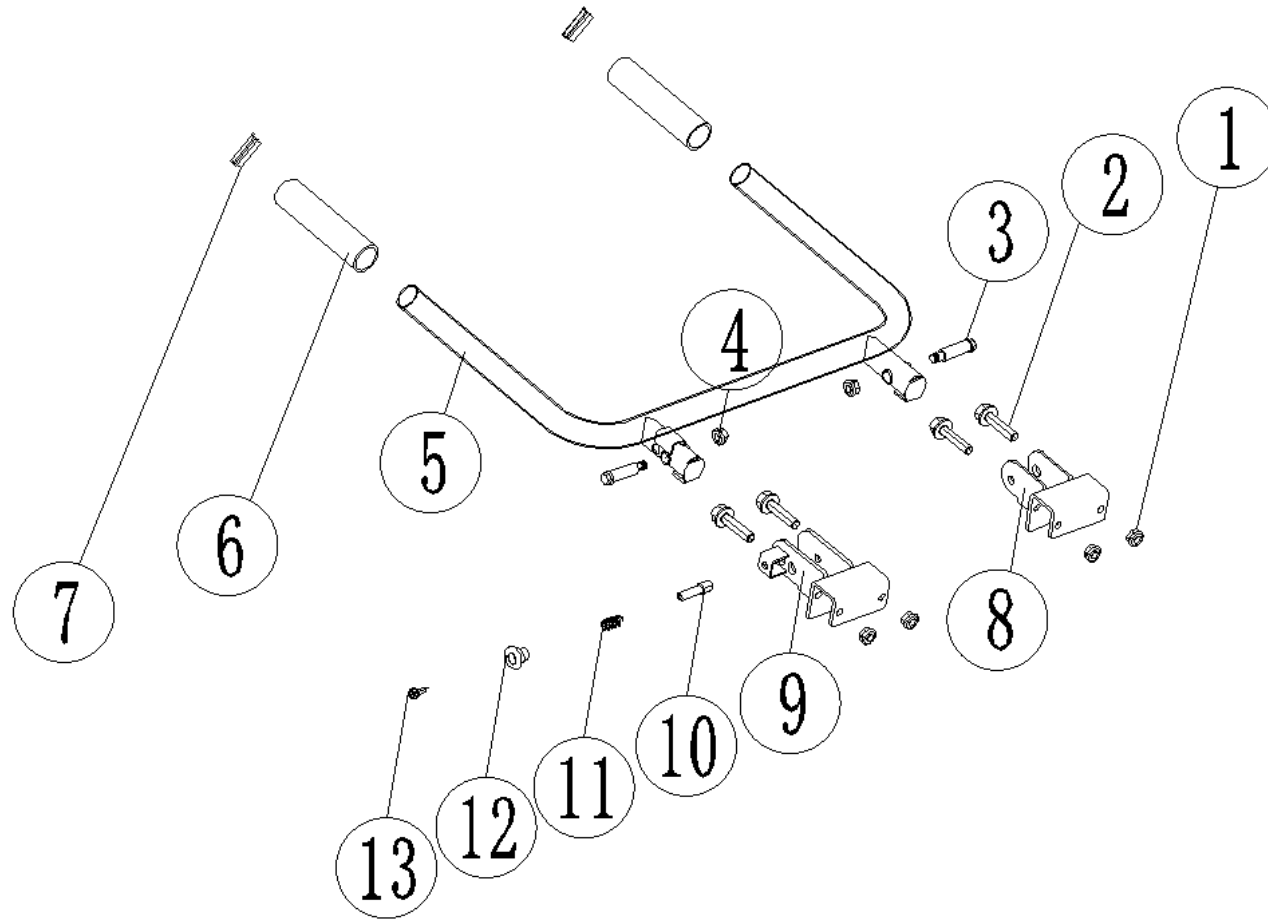
4 Overlay component



	Description	QTY
--	-------------	-----

NO.	Part NO.	English	Price (USD)		Standard Qty	Demand Qty
1	20130-00482-02	Fuel tank assembly			1	
2	33275-00118-00	Fuel tank seal			1	
3	70002-04253-00	Self-tapping screws			12	
4	33013-00185-00	Upper cover assembly			2	
5	30101-00341-00	Hexagon flange bolts			8	
6	33015-00012-02	Handle rubber cover			1	
7	20135-00469-00	Handle tube assembly			1	
8	20135-00468-00	Handle tube assembly			1	
9	33015-00115-01	Handle rubber cover			1	
10	30101-00407-00	Hexagon flange bolts			4	
11	34037-00003-00	Filter assembly			1	
12	34023-00201-00	Fuel pipe			1	
13	34024-00024-00	Clamp/B9.5			2	
14	34024-00031-00	Clamp/B10.5			1	
15	30101-00341-00	Hexagon flange bolts			36	
16	33013-00316-00	Left window panel assembly			1	
17	33013-00320-00	Left side panel assembly			1	
18	33013-00310-00	Right side panel assembly			1	
19	33126-00025-00	Oil drain bolt plug			1	
20	33013-00315-01	Right window panel assembly			1	
21	33013-00191-00	Right window oil plate assembly			1	
22	33013-00322-00	Inverter cover plate assembly			1	
23	33013-00324-00	Motor cover plate assembly			1	

5 handle

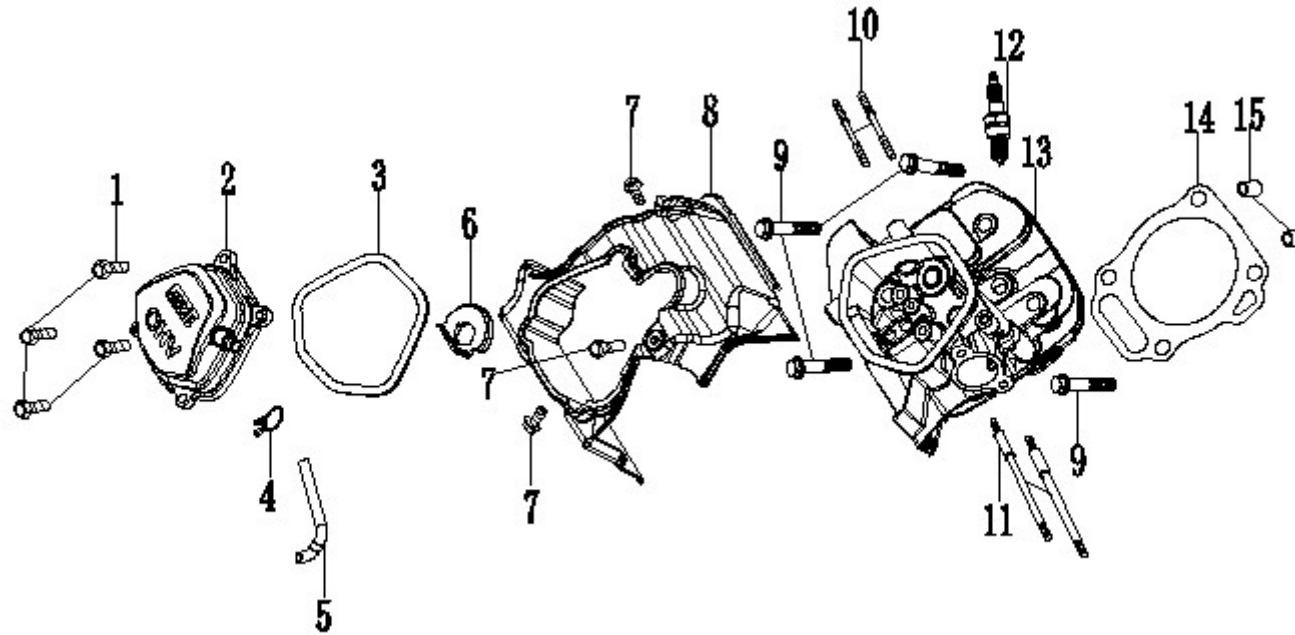


NO.	Part NO.	Description			QTY	
		English	Price (USD)		Standard Qty	Demand Qty
1	30128-00013-00	Nylon nut			4	
2	30101-00379-00	Hexagon flange bolts			4	
3	33580-00064-00	Handlebar fixing pin			2	
4	30125-00030-00	Hexagonal Flange Nut			2	

5	20135-00326-00	Handle tube assembly			1	
6	33015-00012-02	Handle rubber cover			2	
7	33036-00038-01	Rubber stopper			2	
8	33593-00093-00	Handlebar fixing bracket left			1	
9	33593-00110-00	Handlebar fixed right			1	
10	33580-00017-01	Event Pin			1	
11	34015-00031-00	Fastening spring			1	
12	20184-00006-01	Handle assembly			1	
13	30101-00326-00	Hexagon flange bolts			1	

6 engine

6-1 cylinder head

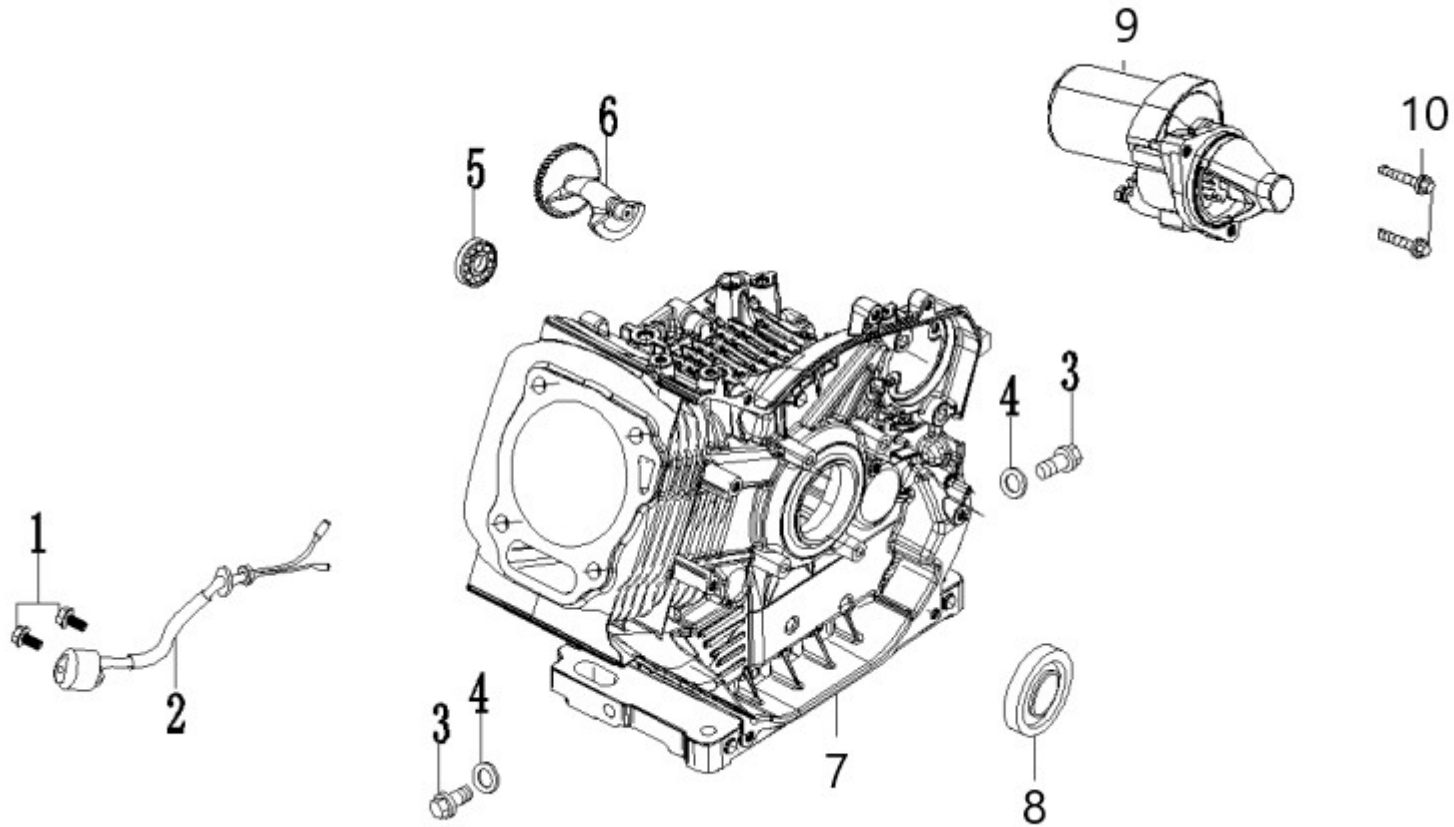


NO.	Part NO.	Description			QTY	
		English	Price (USD)		STANDARD QTY	Demand Qty
1	30101-00071-00	Hexagon flange bolt/M6*20			4	
2	20021-00018-00	Cylinder head assembly			1	
3	33048-00154-01	Cylinder head gasket			1	
4	34024-00056-00	Clamp			1	

5	34023-00074-00	Exhaust pipe			1	
6	33015-00070-00	Spark plug rubber sleeve			1	
7	30101-00070-00	Hexagon flange bolt/M6*12			3	
8	34021-00116-01	Cylinder head air guide cover			1	
9	30101-00289-00	Hexagon flange bolt/M10*87			4	
10	30110-00027-01	Exhaust studs			2	
11	30110-00020-01	Inlet stud bolt			2	
12	20027-00019-00	Spark plug parts			1	
13	20023-00057-00	Cylinder head assembly			1	
14	33048-00036-00	Cylinder head gasket			1	
15	34006-00007-00	Positioning pin			2	

6 engine

6-2 crankcase



NO.	Part NO.	Description			QTY	
		English	Price (USD)		STANDARD QTY	Demand Qty
1	30101-00342-00	Hexagonal flange bolt/M6*16			2	
2	33247-00027-00	Oil sensor			1	
3	30101-00514-00	Hexagon flange bolt/M12*16			2	

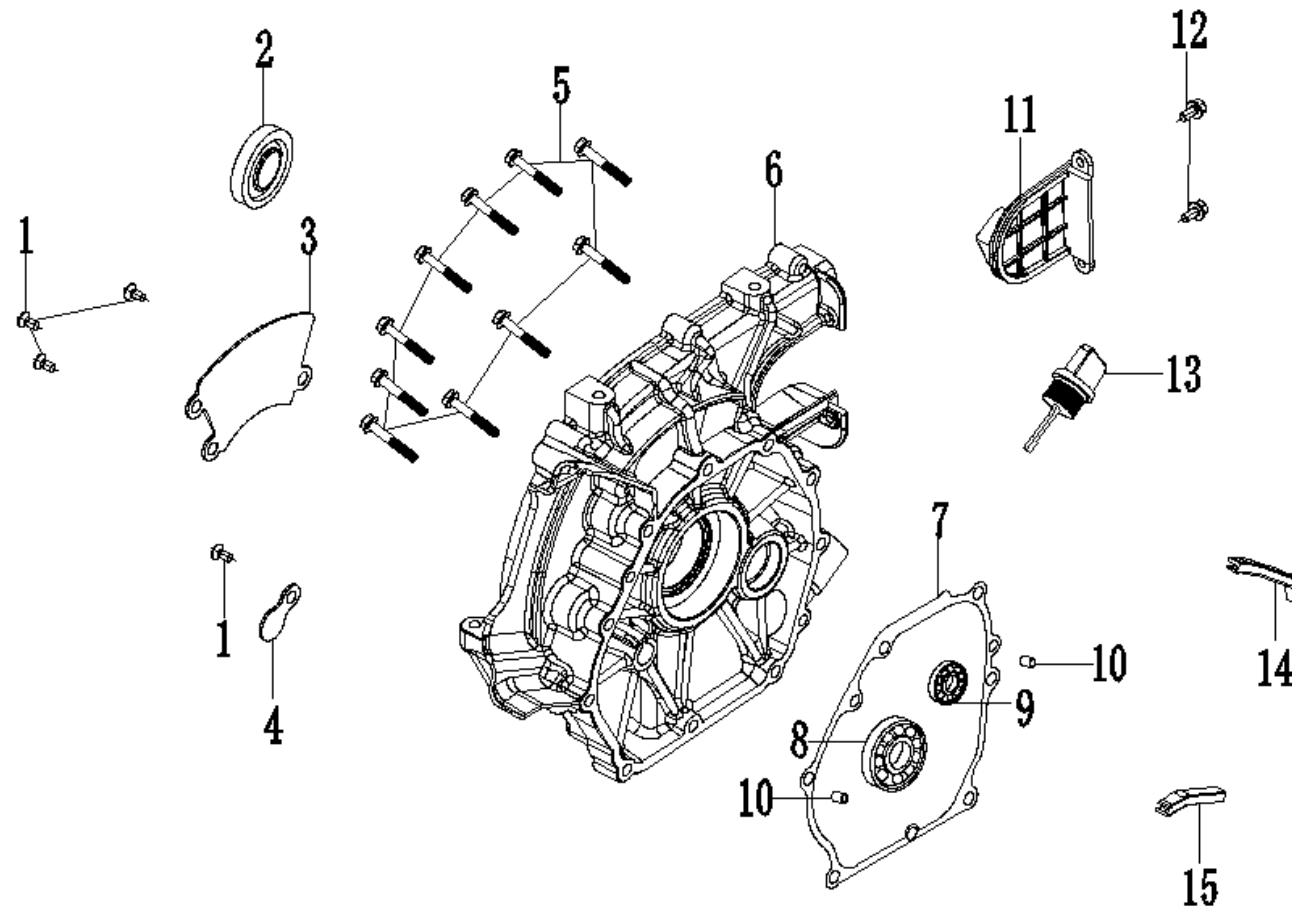
4	30136-00080-01	Aluminum gasket			2	
5	30141-00113-00	Deep groove ball bearing/TM6202-P5			1	
6	34033-00008-00	Balance shaft			1	
7	34011-00154-02	Crankcase			1	
8	34007-00012-00	Oil seal			1	
9	20149-00016-01	Starting motor parts			1	
10	30101-00461-00	Hexagonal flange bolt/M8*32			2	

6 engine

6-3

crankcase

cover

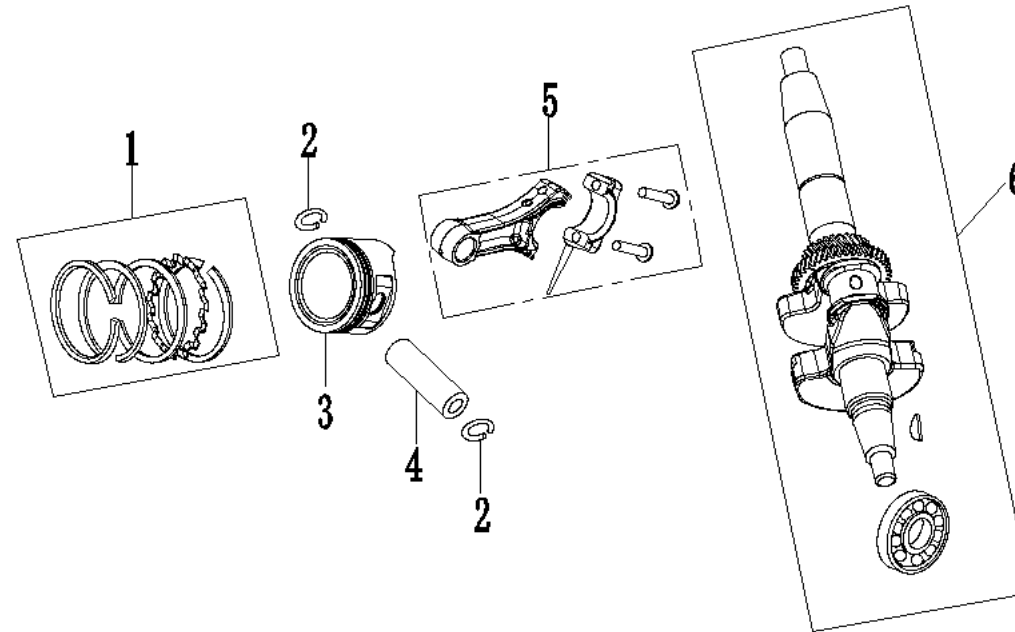


NO.	Part NO.	Description			QTY	
		English	Price (USD)		STANDARD QTY	Demand Qty
1	30116-00016-00	Cross recessed countersunk head screw			4	
2	34007-00012-01	Oil seal			1	
3	20217-00131-00	Pressure plate parts/sector			1	
4	20217-00130-00	Pressure plate parts			1	

5	30101-00370-00	Hexagonal flange bolt/M8*40			10	
6	33129-00041-01	Crankcase cover			1	
7	33048-00066-01	Crankcase cover gasket			1	
8	30141-00113-00	Deep groove ball bearing/6307-P64			1	
9	30141-00249-00	Deep groove ball bearing/TM6202-P5			1	
10	34006-00001-00	Positioning pin			2	
11	33138-00022-01	Crankcase cover baffle			1	
12	30101-00070-00	Hexagon flange bolt/M6*12			2	
13	20026-00004-02	Oil dipstick assembly			1	
14	33275-00075-01	Cylinder head air guide cover sealing strip			1	
15	33275-00076-00	Cylinder head air guide cover sealing strip			1	

6 engine

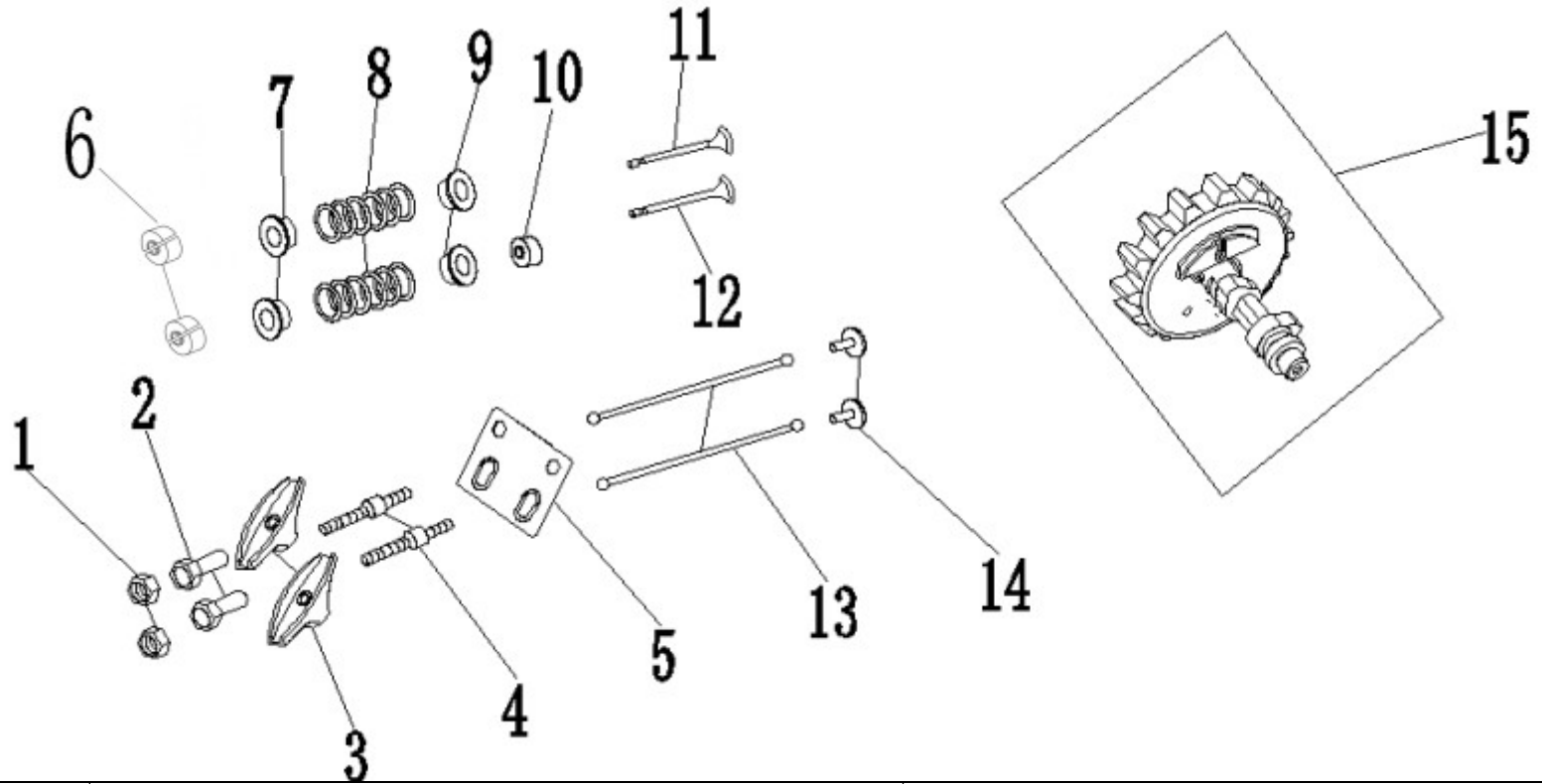
6-piston and connecting rod



NO.	Part NO.	Description			QTY	
		English	Price (USD)		STANDARD QTY	Demand Qty
1	20084-00011-00	Piston ring assembly			1	
2	30150-00023-01	Piston pin retaining ring			2	
3	34004-00018-00	piston			1	
4	34006-00015-00	Piston pin			1	
5	20008-00009-00	Connecting rod assembly			1	
6	20011-00127-00	Crankshaft assembly			1	

6 engine

6-5 camshaft

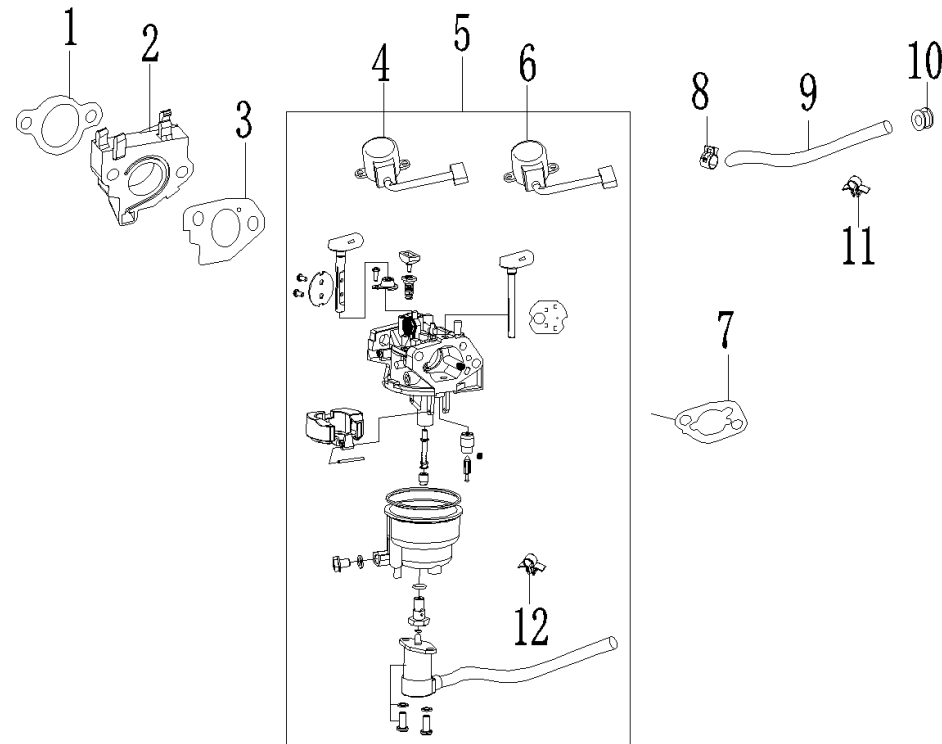


NO.	Part NO.	Description			QTY	
		English	Price (USD)		STANDARD QTY	Demand Qty
1	30121-00034-00	Rocker shaft adjusting nut			2	
2	30134-00005-00	Rocker shaft			2	
3	34019-00005-00	Valve rocker arm			2	
4	30110-00030-00	Rocker shaft bolt			2	
5	34017-00008-00	Push rod guide			1	
6	34016-00009-00	Valve lock clip			4	
7	34016-00005-00	Exhaust valve spring seat			2	
8	34015-00023-00	Valve spring			2	

9	34016-00008-00	Exhaust valve spring lower seat			2	
10	34007-00001-01	Oil seal/intake valve			2	
11	34013-00034-00	Exhaust valve			1	
12	34013-00078-00	Intake valve			1	
13	34020-00010-00	Valve push rod			2	
14	34008-00006-00	Valve tappet			2	
15	20012-00015-00	Camshaft assembly			1	

6 engine

6-6 carburetor

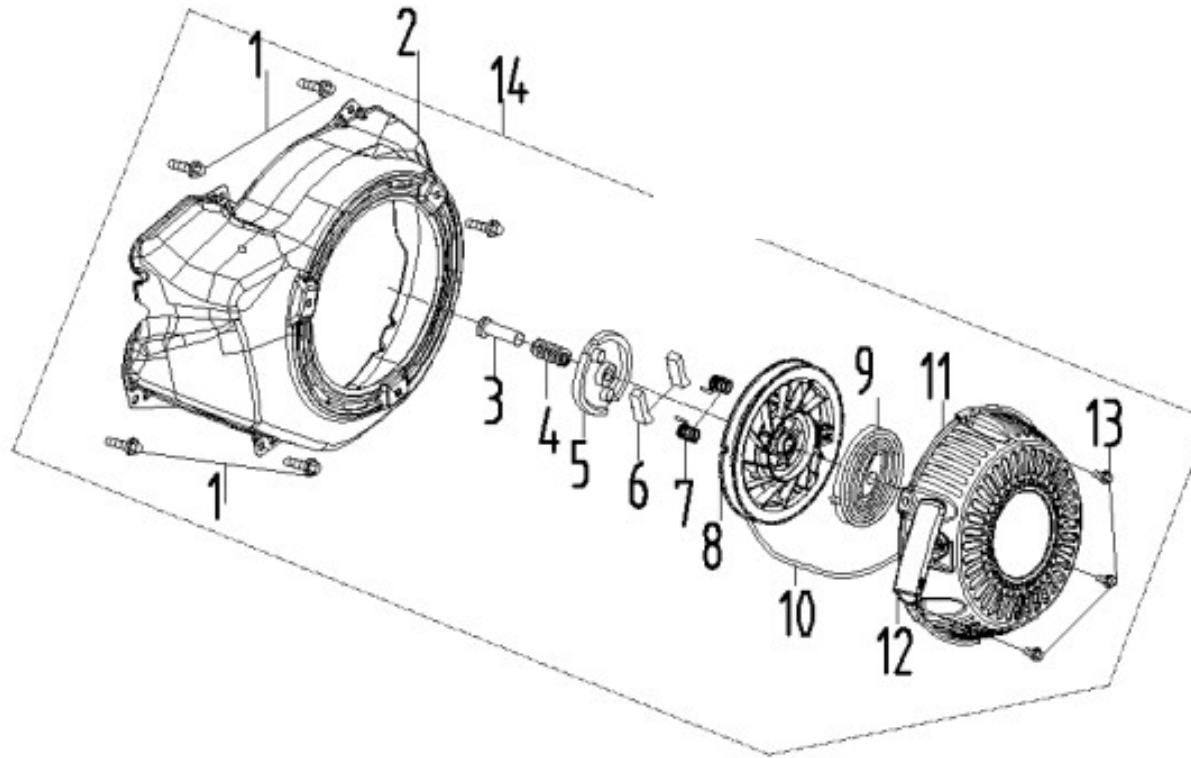


NO.	Part NO.	Description			QTY	
		English	Price (USD)		STANDARD QTY	Demand Qty
1	33048-00053-01	Air inlet gasket			1	

2	34012-00026-01	Carburetor connecting block			1	
3	33048-00078-01	Carburetor gasket			1	
4	20007-00002-01	Stepper motor (throttle)			1	
5	20024-00364-00	Carburetor assembly			1	
6	20007-00017-00	Stepper motor (throttle)			1	
7	33048-00047-01	Air filter gasket			1	
8	34024-00022-00	Clamp B8			1	
9	34023-00143-00	Fuel pipe			1	
10	33015-00039-00	Oil pipe protective cover			1	
11	34024-00009-00	Line Card			1	
12	34024-00008-00	Line Card			1	

6 engine

6-7 recoil startor

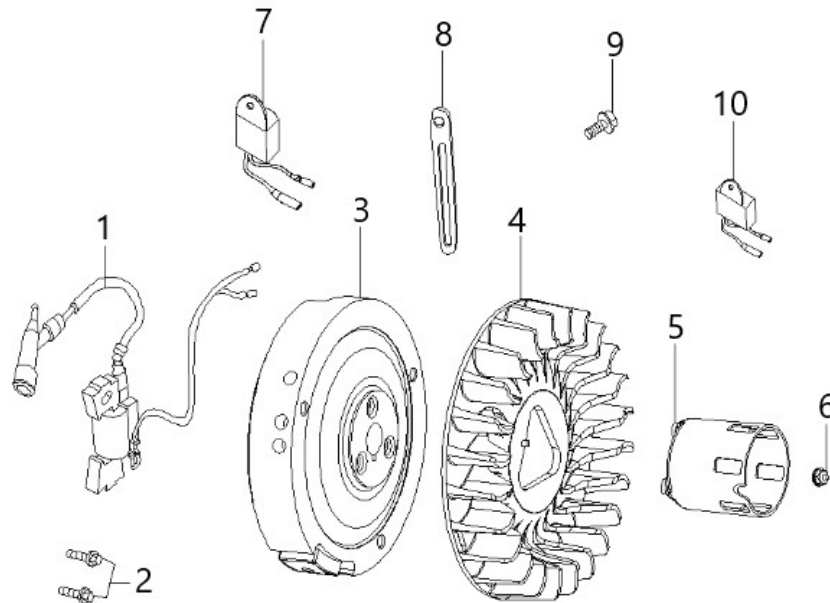


NO.	Part NO.	Description			QTY	
		English	Price (USD)		STANDARD QTY	Demand Qty
1	30101-00070-00	Hexagon flange bolt/M6*12			5	
2	/	Recoil starter cover			1	
3	/	Axis screw			1	
4	/	Start spring			1	
5	/	Pawl guide			1	
6	/	pawl			2	

7	/	Return spring			2	
8	/	reel			1	
9	/	Starter coil spring			1	
10	/	Start pull rope			1	
11	20034-00014-00	Starter pull plate			1	
12	/	handle			1	
13	/	Bolt with disc			3	
14	20010-00250-01	Recoil starter assembly			1	

6 engine

6-8 fly wheel

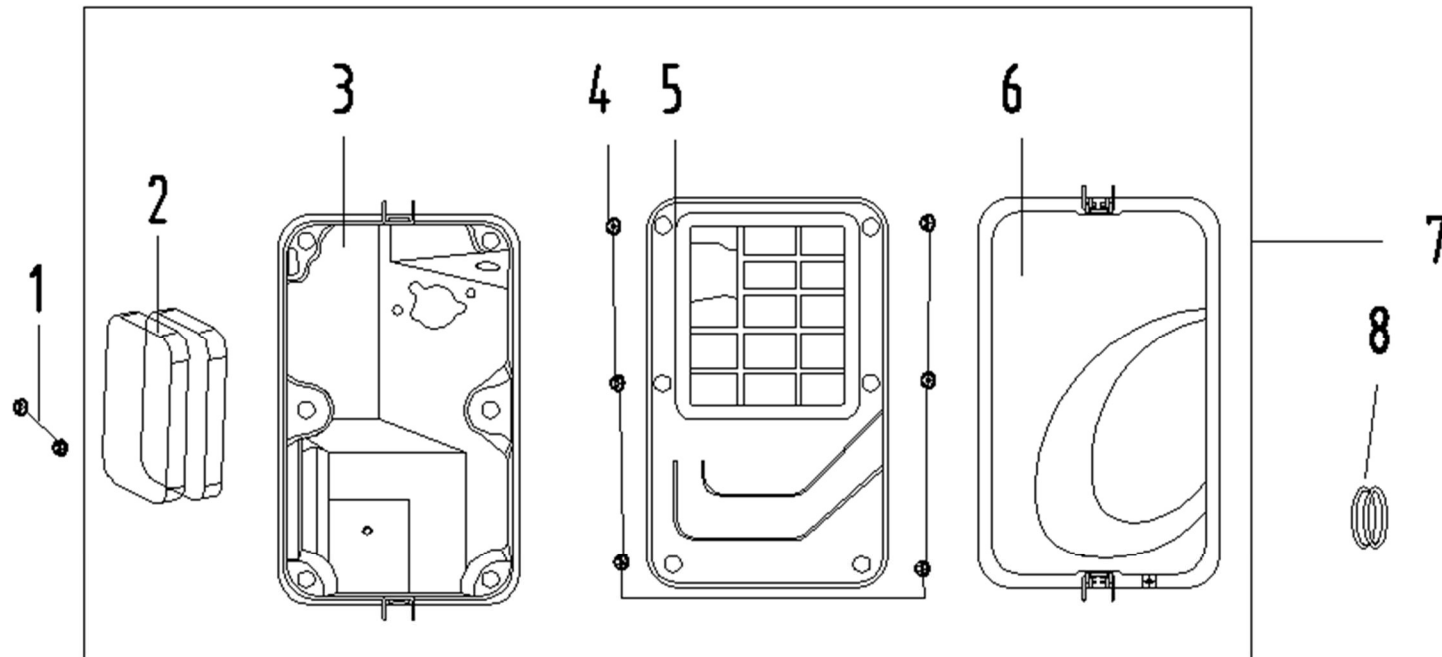


NO.	Part NO.	Description			QTY	
		English	Price(USD)		STANDARD QTY	Demand Qty
1	20028-00071-01	Ignition coil assembly			1	
2	30101-00408-00	Hexagonal flange bolt/M6*25			2	

3	33099-00120-00	Flywheel parts			1	
4	33155-00042-01	fan			1	
5	34022-00028-01	Starter Cup			1	
6	30125-00064-00	Hexagonal flange nut/M16*1.5			1	
7	70002-02317-01	Speed limit alarm			1	
8	34024-00004-00	Metal wire clip			1	
9	30101-00070-00	Hexagon flange bolt/M6*12			1	
10	33246-00003-01	Oil alarm			1	

6 engine

6-9 air cleaner

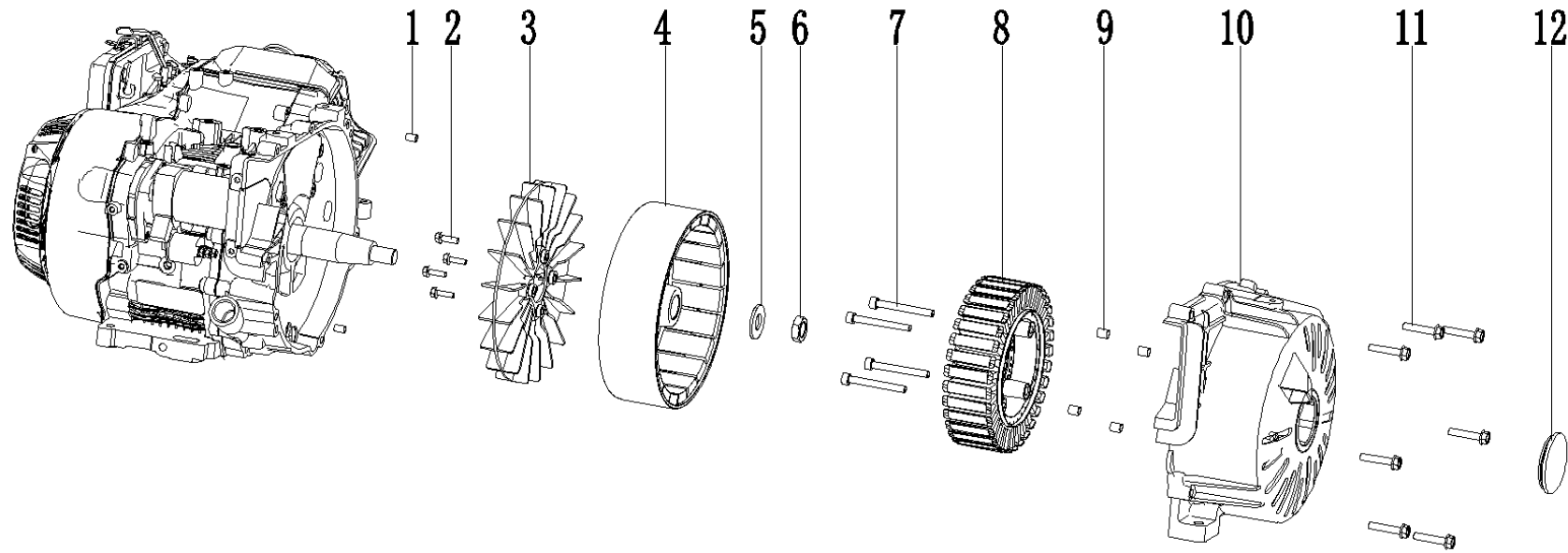


cleaner

NO.	Part NO.	Description			QTY	
		English	Price (USD)		STANDARD QTY	Demand Qty
1	30125-00002-00	Hexagonal Flange Nut			2	
2	70002-05224-00	Filter Elements			2	
3	/	Air filter base			1	
4	/	Hexagonal Flange Nut			6	
5	/	Filter support plate			1	
6	/	Air filter housing			1	
7	20025-00085-01	Air filter assembly			1	

6 engine

6-10 alternator



NO.	Part NO.	Description			QTY	
		English	Price(USD)		STANDARD QTY	Demand Qty
1	34006-00001-00	Positioning pin/ $\Phi 8 \times \Phi 6.4 \times 12$ /			2	
2	30101-00071-00	Hexagon flange bolt/M6*1/20			4	
3	33155-00083-00	Double blade fan			1	
4	20006-0003400	Frequency conversion motor rotor/ $\Phi 232 \times 78$			1	
5	30136-00173-00	Flat washer/ $\Phi 18.5 \times \Phi 36.5 \times 5$			1	
6	30125-00048-00	Hexagonal flange nut/M18*1.5/S=27			1	
7	30113-00025-00	Hexagon socket head screw/M8*1.25/70			4	
8	20005-00057-00	Frequency conversion motor stator/7KW/120V240V			1	
9	34006-00006-00	Positioning pin/ $\Phi 10 \times \Phi 8.5 \times 12$			4	

10	33191-00134-00	Generator rear cover			1	
11	30101-00370-00	Hexagonal bolt/M8*1.25/40	flange		7	
12	33126-00027-00	Motor cover plug			1	

